

# Sunray Saunas

## The Charleston Traditional Sauna

### Aged Canadian Hemlock Wood

Combines strength and durability with natural appeal.

### Built-In Ergonomic Backrest

Strategically positioned for relaxation and comfort.

### Harvia Heater

A globally recognized leader in heating technology.



### Ventilation System

Built in ceiling ventilation for advanced air flow.

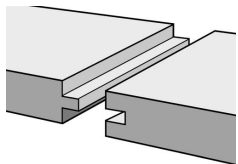
### Sand Timer and Hygrometer

Measures your session times, heat and humidity.

### Cabin Features

Solid wood floor and heavy duty hinged door with tempered glass.

### Tongue and Groove Assembly



Easy to assemble and operate. Takes just one hour for assembly.

### 6.0 KW Harvia Heater



Produces temperature up to 170\* Fahrenheit

### Cask and Spoon



Add humidity to the sauna by drizzling water on the heater rocks. (Included)

### Warranty

Industry leading full 7 year structural warranty. 1 year parts warranty. Lifetime support.

## SPECIFICATIONS

### Construction

Canadian Hemlock Cabin  
10mm Tempered Glass  
Tongue & Groove Construction  
Weight: 510 lbs

### Exterior

Width: 71"  
Depth: 67"  
Height: 80"

### Interior

Width: 67"  
Depth: 59"  
Height: 72"

### Heater

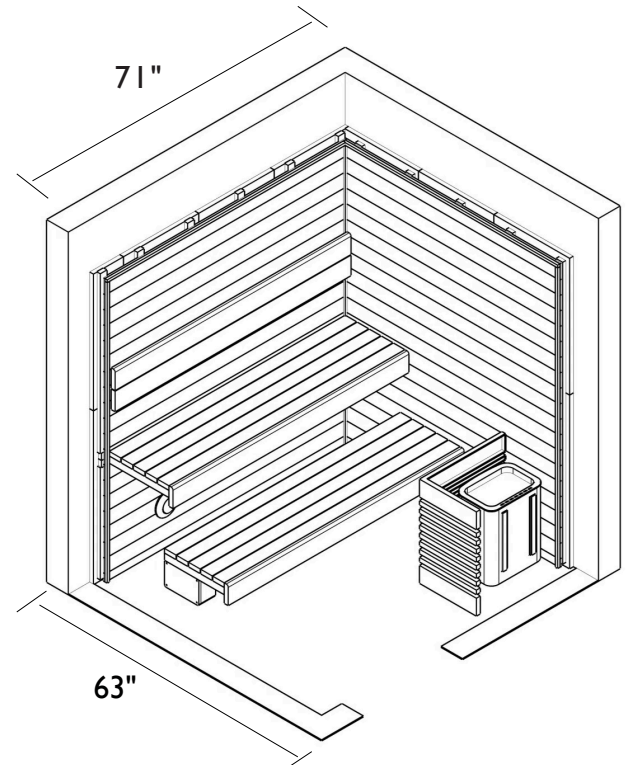
6.0 kW Harvia Electric Heater  
Power: 240V, 30AMP Dedicated  
Power Supply Required

### Warranty Coverage

Structure 7 Years  
Electronics 1 Year  
Heaters 1 Year

# Sunray Saunas

## The Charleston Traditional Sauna



### Exterior Dimensions

#### SPECIFICATIONS

##### Construction

Canadian Hemlock Cabin  
10mm Tempered Glass  
Tongue & Groove Construction  
Weight: 510 lbs

##### Exterior

Width: 71"  
Depth: 63"  
Height: 80"

##### Interior

Width: 67"  
Depth: 59"  
Height: 72"

##### Heater

6.0 kW Harvia Electric Heater  
Power: 240V, 30AMP  
Dedicated Power Supply Required

##### Warranty Coverage

Structure 7 Years  
Electronics 1 Year  
Heaters 1 Year